

BUSH HOG®

Tri-Deck Finishing Mower TDR - 11



Operator's Manual

OPERATION ● MAINTENANCE

CONGRATULATIONS!

You have invested in the best implement of its type on the market today.

The care you give your Bush Hog implement will greatly determine your satisfaction with its performance and its service life. We urge a careful study of this manual to provide you with a thorough understanding of your new implement before operating, as well as suggestions for operation and maintenance.

If your manual should become lost or destroyed, Bush Hog will be glad to provide you with a new copy. Order from Bush Hog, P. O. Box 1039, Selma, Alabama 36702-1039.

As an authorized Bush Hog dealer, we stock genuine Bush Hog parts which are manufactured with the same precision and skill as our original equipment. Our trained service personnel are well informed on methods required to service Bush Hog equipment, and are ready and able to help you.

Should you require additional information or assistance, please contact us.

YOUR AUTHORIZED
BUSH HOG DEALER

BECAUSE BUSH HOG MAINTAINS AN ONGOING PROGRAM OF PRODUCT IMPROVEMENT, WE RESERVE THE RIGHT TO MAKE IMPROVEMENTS IN DESIGN OR CHANGES IN SPECIFICATIONS WITHOUT INCURRING ANY OBLIGATION TO INSTALL THEM ON UNITS PREVIOUSLY SOLD.

BECAUSE OF THE POSSIBILITY THAT SOME PHOTOGRAPHS IN THIS MANUAL WERE TAKEN OF PROTOTYPE MODELS, PRODUCTION MODELS MAY VARY IN SOME DETAIL. IN ADDITION, SOME PHOTOGRAPHS MAY SHOW SHIELDS REMOVED FOR PURPOSES OF CLARITY. **NEVER OPERATE** THIS IMPLEMENT WITHOUT ALL SHIELDS IN PLACE.

TDR- 11 Finishing Mower

TABLE OF CONTENTS

SECTION/PARA	PAGE	SECTION/PARA	PAGE
Warranty.....	2	3-2 Cutting Height Adjustment.....	9
Dealer Preparation Check List.....	3	3-3 Operation.....	10
Safety Precautions.....	4	3-4 Transporting	10
Federal Laws and Regulations	6	IV.MAINTENANCE.....	11
I. INTRODUCTION & DESCRIPTION	7	4-1 Maintenance Check List	11
1-1 Introduction.....	7	4-2 Lubrication	11
1-2 Description.....	7	4-3 Spindle Belt Adjustment	12
II. PREPARATION FOR USE.....	8	4-4 Spindle Belt Replacement	12
2-1 Attaching To Tractor	8	4-5 Blade Replacement	13
III.OPERATING INSTRUCTIONS	9	4-6 Troubleshooting.....	13
3-1 General Safety.....	9	Safety Decals	14
		Torque Specifications.....	16

RETAIL CUSTOMER’S RESPONSIBILITY UNDER THE BUSH HOG WARRANTY

It is the Retail Customer and/or Operator’s responsibility to read the Operator’s Manual, to operate, lubricate, maintain and store the product in accordance with all instructions and safety procedures. Failure of the operator to read the Operator’s Manual is a misuse of this equipment.

It is the Retail Customer and/or Operator’s responsibility to inspect the product and to have any part(s) repaired or replaced when continued operation would cause damage or excessive wear to other parts or cause a safety hazard.

It is the Retail Customer’s responsibility to deliver the product to the authorized Bush Hog Dealer, from whom he purchased it, for service or replacement of defective parts which are covered by warranty. Repairs to be submitted for warranty consideration must be made within forty-five (45) days of failure.

It is the Retail Customer’s responsibility for any cost incurred by the Dealer for traveling to or hauling of the product for the purpose of performing a warranty obligation or inspection.

BUSH HOG[®]

LIMITED WARRANTY



Bush Hog warrants to the original purchaser of any new Bush Hog equipment, purchased from an authorized Bush Hog dealer, that the equipment be free from defects in material and workmanship for a period of one (1) year for non-commercial, state, and municipalities' use and ninety (90) days for commercial use from date of retail sale. The obligation of Bush Hog to the purchaser under this warranty is limited to the repair or replacement of defective parts.

Replacement or repair parts installed in the equipment covered by this limited warranty are warranted for ninety (90) days from the date of purchase of such part or to the expiration of the applicable new equipment warranty period, whichever occurs later. Warranted parts shall be provided at no cost to the user at an authorized Bush Hog dealer during regular working hours. Bush Hog reserves the right to inspect any equipment or parts which are claimed to have been defective in material or workmanship.

DISCLAIMER OF IMPLIED WARRANTIES & CONSEQUENTIAL DAMAGES

Bush Hog's obligation under this limited warranty, to the extent allowed by law, is in lieu of all warranties, implied or expressed, **INCLUDING IMPLIED WARRANTIES OF MERCHANTABILITY AND FITNESS FOR A PARTICULAR PURPOSE** and any liability for incidental and consequential damages with respect to the sale or use of the items warranted. Such incidental and consequential damages shall include but not be limited to: transportation charges other than normal freight charges; cost of installation other than cost approved by Bush Hog; duty; taxes; charges for normal service or adjustment; loss of crops or any other loss of income; rental of substitute equipment, expenses due to loss, damage, detention or delay in the delivery of equipment or parts resulting from acts beyond the control of Bush Hog.

THIS LIMITED WARRANTY SHALL NOT APPLY:

1. To vendor items which carry their own warranties, such as engines, tires, and tubes.
2. If the unit has been subjected to misapplication, abuse, misuse, negligence, fire or other accident.
3. If parts not made or supplied by Bush Hog have been used in connection with the unit, if, in the sole judgement of Bush Hog such use affects its performance, stability or reliability.
4. If the unit has been altered or repaired outside of an authorized Bush Hog dealership in a manner which, in the sole judgement of Bush Hog, affects its performance, stability or reliability.
5. To normal maintenance service and normal replacement items such as gearbox lubricant, hydraulic fluid, worn blades, or to normal deterioration of such things as belts and exterior finish due to use or exposure.
6. To expendable or wear items such as teeth, chains, sprockets, belts, springs and any other items that in the company's sole judgement is a wear item.

NO EMPLOYEE OR REPRESENTATIVE OF BUSH HOG IS AUTHORIZED TO CHANGE THIS LIMITED WARRANTY IN ANY WAY OR GRANT ANY OTHER WARRANTY UNLESS SUCH CHANGE IS MADE IN WRITING AND SIGNED BY BUSH HOG'S SERVICE MANAGER, POST OFFICE BOX 1039, SELMA, ALABAMA 36702-1039.



Record the model number, serial number and date purchased. This information will be helpful to your dealer if parts or service are required.

MODEL NUMBER _____

MAKE CERTAIN THE WARRANTY REGISTRATION CARD HAS BEEN FILED WITH BUSH HOG/
SELMA, ALABAMA

SERIAL NUMBER _____

DATE OF RETAIL SALE _____

DEALER PREPARATION CHECK LIST

Tri-Deck Finishing Mower

TDR - 1 1

BEFORE DELIVERING MACHINE — The following check list should be completed.
Use the Operator's Manual as a guide.

- 1. Assembly completed.
- 2. Gearboxes filled with oil.
- 3. All fittings lubricated.
- 4. All shields in place and in good condition.
- 5. All fasteners torqued to specifications given in Torque Chart
- 6. All decals in place and readable. (See decal page.)
- 7. Overall condition good (i.e. paint, welds)
- 8. Operators manual has been delivered to owner and he has been instructed on the safe and proper use of the mower.

Dealer's
Signature _____

Purchaser's
Signature _____

THIS CHECKLIST TO REMAIN IN OWNER'S MANUAL
It is the responsibility of the dealer to complete the procedures listed
above before delivery of this implement to the customer.

Safety Alert Symbol



This Safety Alert Symbol means: “**ATTENTION! BECOME ALERT! YOUR SAFETY IS INVOLVED!**”

This symbol is used to call attention to safety precautions that should be followed by the operator to avoid accidents. When you see this symbol, carefully read the message that follows and heed its advice. Failure to comply with safety precautions could result in death or serious bodily injury.

Safety Signs *Signal Words*

The signal words **DANGER, WARNING, AND CAUTION** are used on the equipment safety signs. These words are intended to alert the viewer to the existence and the degree of hazard seriousness.

 **DANGER**

White letters on **RED**

This signal word indicates a potentially hazardous situation which, if not avoided, will result in death or serious injury.

 **WARNING**

Black letters on **ORANGE**

This signal word indicates a potentially hazardous situation which, if not avoided, could result in death or serious injury

It may also be used to alert against unsafe practices.

 **CAUTION**

Black letters on **YELLOW**

This signal word indicates a potentially hazardous situation exist which, if not avoided, may result in minor or moderate injury.

It may also be used to alert against unsafe practices.

IMPORTANT SAFETY PRECAUTIONS

This symbol is used to call attention to safety precautions that should be followed by the operator to avoid accidents. When you see this symbol, carefully read the message that follows and heed its advice. Failure to comply with safety precautions could result in death or serious bodily injury.



In addition to the design and configuration of equipment, hazard control and accident prevention are dependent upon the awareness, concern, prudence and proper training of personnel in the operation, transport, maintenance and storage of equipment. Lack of attention to safety can result in accident, personal injury, reduction of efficiency and worst of all—loss of life. Watch for safety hazards and correct deficiencies promptly. Use the following safety precautions as a general guide to safe operations when using this machine. Additional safety precautions are used throughout this manual for specific operating and maintenance procedures. Read this manual and review the safety precautions often until you know the limitations.

1. Read the Operator's Manual. Failure to read the Operator's Manual is considered a misuse of this equipment.
2. Become familiar with all the machine's controls and all the caution, warning and danger decals affixed to the machine before attempting to start or operate.
3. Before starting or operating the machine, make a walk around inspection and check for obvious defects such as loose mounting bolts and damaged components. Correct any deficiency before starting.
4. Do not allow children to operate the cutter. Do not allow adults to operate it without proper instruction.
5. Do not carry passengers.
6. Keep the area of operation clear of all persons, particularly small children and pets. The operator should cease mowing whenever anyone comes within the operating area.
7. Clear the work area of objects which might be picked up and thrown.
8. Use a piece of cardboard or wood rather than hands to search for hydraulic leaks. Escaping hydraulic oil under pressure can penetrate skin. If fluid is injected into the skin, it must be surgically removed within a few hours by a doctor familiar with this form of injury or gangrene may result.
9. Do not operate without all guards and shields in place and in good condition.
10. Lower implement to ground, stop tractor engine, apply parking brake, and allow blades to completely stop before leaving the tractor.
11. Keep hands and feet away from blades.
12. This cutter is not to be operated along highways or in any area where people may be present unless all sides of the unit are enclosed by permanent bands, safety chains or other factory approved safety shields that are in good repair.
13. Wear personal protective equipment such as, but not limited to, protection for eyes, ears, feet, hands and head when operating or repairing the equipment. Do not wear loose clothing or jewelry that may catch on equipment moving parts.
14. When performing adjustments or maintenance on the cutter, first lower it to the ground or block it securely at a workable height.
15. Never stand between tractor and cutter while tractor is being backed to the cutter hitch.
16. Reduce speed when transporting cutter to avoid bouncing and momentary loss of steering.
17. Use tractor flashing warning lights, day or night, when transporting cutter on road or highways unless prohibited by law.
18. It is recommended that tractor be equipped with Rollover Protective System (ROPS) and seat belt be used in all mowing operations.

IMPORTANT FEDERAL LAWS AND REGULATIONS* CONCERNING EMPLOYERS, EMPLOYEES AND OPERATIONS.

*(This section is intended to explain in broad terms the concept and effect of the following federal laws and regulations. It is not intended as a legal interpretation of the laws and should not be considered as such).

U.S. Public Law 91-596 (The Williams-Steiger Occupational and Health Act of 1970) OSHA

This Act Seeks:

“...to assure so far as possible every working man and woman in the nation safe and healthful working conditions and to preserve our human resources...”

DUTIES

Sec. 5 (a) Each employer—

- (1) shall furnish to each of his employees employment and a place of employment which are free from recognized hazards that are causing or are likely to cause death or serious physical harm to his employees;
- (2) shall comply with occupational safety and health standards promulgated under this Act.
 - (b) Each employee shall comply with occupational safety and health standards and all rules, regulations and orders issued pursuant to this Act which are applicable to his own actions and conduct.

OSHA Regulations

Current OSHA regulations state in part: “At the time of initial assignment and at least annually thereafter, the employer shall instruct every employee in the safe operation and servicing of all equipment with which the employee is, or will be involved.” These will include (but are not limited to) instructions to:

Keep all guards in place when the machine is in operation;

Permit no riders on equipment;

Stop engine, disconnect the power source, and wait for all machine movement to stop before servicing, adjusting, cleaning or unclogging the equipment, except where the machine must be running to be properly serviced or maintained, in which case the employer shall instruct employees as to all steps and procedures which are necessary to safely service or maintain the equipment.

Make sure everyone is clear of machinery before starting the engine, engaging power, or operating the machine.

EMPLOYEE TRACTOR OPERATING INSTRUCTIONS:

1. Securely fasten your seat belt if the tractor has a ROPS.
2. Where possible, avoid operating the tractor near ditches, embankments, and holes.
3. Reduce speed when turning, crossing slopes, and on rough, slick, or muddy surfaces.
4. Stay off slopes too steep for safe operation.
5. Watch where you are going, especially at row ends, on roads, and around trees.
6. Do not permit others to ride.
7. Operate the tractor smoothly - no jerky turns, starts, or stops.
8. Hitch only to the drawbar and hitch points recommended by tractor manufacturers.
9. When tractor is stopped, set brakes securely and use park lock if available.

Child Labor Under 16 Years Old

Some regulations specify that no one under the age of 16 may operate power machinery. It is your responsibility to know what these regulations are in your own area or situation. (Refer to U.S. Dept. of Labor, Employment Standard Administration, Wage & Home Division, Child Labor Bulletin #102.)

SECTION I INTRODUCTION AND DESCRIPTION

1-1 INTRODUCTION

We are pleased to have you as a Bush Hog customer. Your TDR-11 Finishing Mower has been carefully designed to give maximum service with minimum down time. This manual is provided to give you the necessary operating and maintenance instructions for keeping your mower in top operating condition. Please read this manual thoroughly. Understand what each control is for and how to use it. Observe all safety precautions decaled on the machine and noted throughout the manual for safe operation of implement. If any assistance or additional information is needed, contact your authorized Bush Hog distributor.

NOTE

All references made to right, left, front, rear, top or bottom are as viewed facing the direction of travel with implement properly attached to tractor.

1-2 DESCRIPTION

The TDR-11, Figure 1-1, is designed for turf maintenance applications where a high quality of cut on turf grasses is required.

The caster wheel arrangement along with the flexible, floating deck and the standard front and rear mounted rollers, all work together to give an even cut and minimize scalping.

NOTE: The inside rear wheel on the wing mower decks and both the front wheels on the rear mower deck are rigidly mounted and are not designed to caster.

Power from the tractor is transmitted through a telescoping driveline to a gearbox arrangement which allows either wing unit to be folded up to 30° while still operating. Power is passed to the spindle housings by a B-section, Kevlar reinforced belt. Drivetrain protection is provided by belt slippage.

Technical Specifications

Specification	TDR-11
Cutting Width	11'
Transport Width	78"
Cutting Height	3/4 to 4"
Blade Tip Speed (FPM)	16,178 FPM
Required Tractor Horsepower	30 HP min.
Wing Flex	30° up, 10° down
Belts	Kevlar
Driveline Size	Cat. IV 80° CV (main), Cat. III (wing)

Figure 1-1 TDR-11



SECTION II PREPARATION FOR USE

NOTE:

Before operation, service all locations outlined in Section 4-2 "Lubrication" and remove transport lock pins from mower decks as shown in Figure 3-4. Unpin inside wing tires and reposition into a trailing position and repin in place. Run-in the mower in a static condition at half throttle for 30 minutes. Inspect all belts for proper tension; check gearboxes for proper oil level; and check to make sure blade spindles are not overheating.

2-1 ATTACHING TO TRACTOR

IMPORTANT
(540 RPM only)

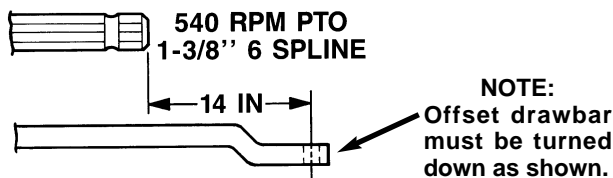
The minimum required PTO horsepower is 30 HP for the TDR-11.



NEVER STAND BETWEEN TRACTOR AND MOWER WHILE TRACTOR IS BEING BACKED TO HITCH.

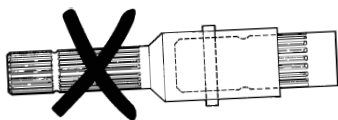
A. Adjust tractor drawbar length to dimension shown in Figure 2-1. Incorrect drawbar length will change angle of driveline causing possible damage to constant velocity joint. See tractor operator's manual for drawbar adjustment procedure.

Figure 2-1 Tractor Drawbar Adjustment



If after turning the offset draw bar downward, there is less than 7" ground clearance, it should be replaced with a straight draw bar or the unit cannot be properly leveled.

IMPORTANT
PTO ADAPTERS SHOULD NOT BE USED WITH ANY BUSH HOG EQUIPMENT. FAILURE TO FOLLOW THESE INSTRUCTIONS WILL CAUSE DRIVELINE FAILURE AND POSSIBLE TRACTOR DAMAGE.



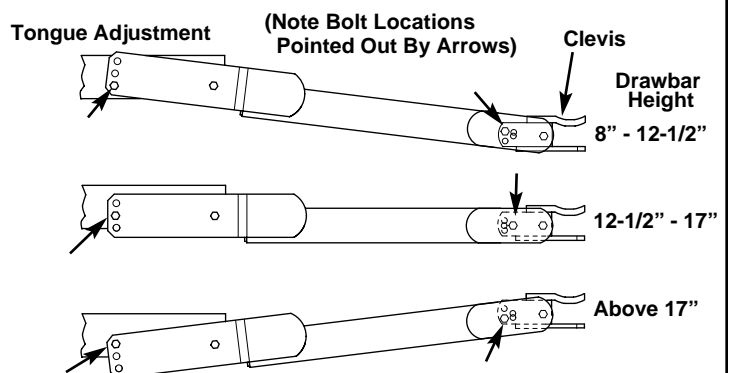
B. Attach jackstand to frame of cutter. Extend jackstand to support weight of frame.

C. Connect clevis hitch to tractor drawbar using a

1 inch (25mm) diameter approved pin with lynch pin retainer or equivalent.

D. Adjust tongue and clevis angle as necessary to keep mower frame level with ground when attached to drawbar. (Figure 2-2)

Figure 2-2 Tongue/Clevis Adjustment



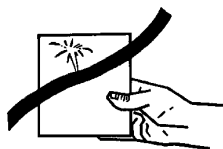
It is important that the TD be operated in a level position. Leveling can be accomplished by adjusting the implement hitch to the tractor draw bar height and leveling the mowerframe by use of the adjustable jackstand.

If after properly leveling the mower deck the draw bar height is less than 8", a standard pull pin may be too long. To prevent turf damage in uneven terrain, the standard pin should be replaced with a 1 x 5" Grade 5 bolt with locknut securely tightened.

E. Connect hydraulic hose to tractor remote quick couplers. (See tractor dealer if furnished couplers are not correct for your particular tractor) Make sure hydraulic line is not twisted or kinked.



USE A PIECE OF CARDBOARD OR WOOD RATHER THAN HANDS AND WEAR EYE PROTECTION WHEN SEARCHING FOR HYDRAULIC LEAKS. ESCAPING HYDRAULIC OIL UNDER PRESSURE CAN PENETRATE SKIN. IF OIL IS INJECTED INTO SKIN, IT MUST BE SURGICALLY REMOVED WITHIN A FEW HOURS OR GANGRENE MAY RESULT.



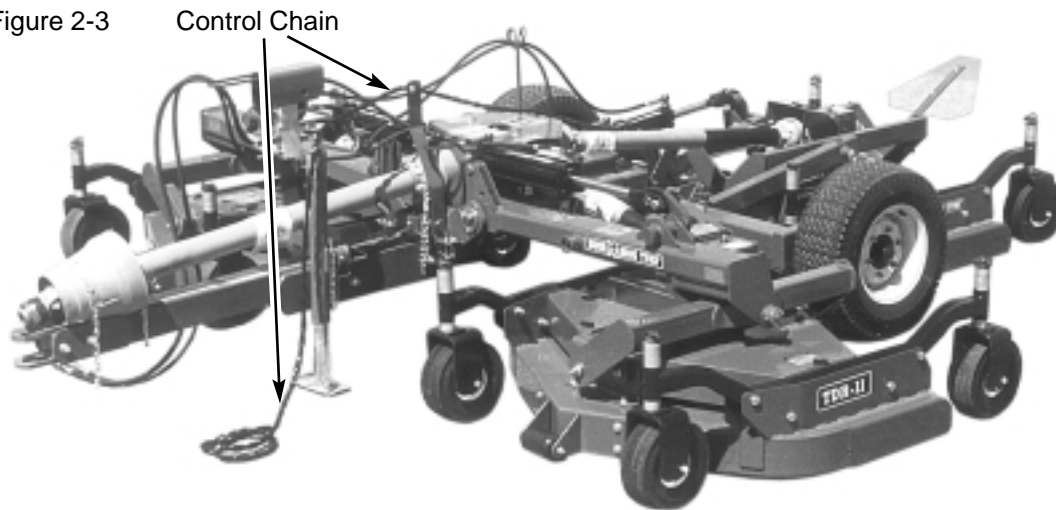
F. Route control chain to convenient location and fasten to tractor. Be sure excess slack is removed from the chain to avoid entanglement with tractor tires or other moving parts. Make sure latch locking pins are in the stored positions so that latches can

be released by pulling the chain. (Refer to Figures 3-3 and 3-4)

G. Attach driveline to tractor. Pull on each driveline section to be sure that yoke locks into place.

H. Securely attach safety tow chain to tractor.

Figure 2-3



SECTION III OPERATING INSTRUCTIONS

3-1 GENERAL SAFETY

Only qualified people familiar with this operator's manual and tractor operator's manual should operate this machine. Operator should wear hard hat, safety glasses and safety shoes. The operator should read, understand and practice all safety messages shown on the caution, warning and danger decals affixed to the mower to avoid serious injury or death. It is recommended that tractor be equipped with Rollover Protective System (ROPS) and a seat belt be used. Before beginning operation, clear work area of any objects that may be picked up and thrown. Check for ditches, stumps, holes or other obstacles that could upset tractor or damage mower. Always lower mower to ground and allow blades to come to a complete stop, set parking brake and turn off tractor engine before leaving tractor operator's seat.

NOTE: Before initial operation the TDR should be connected to the tractor for a 30 minute "run in" cycle. During the "run in" phase, the tractor should be operated at only half throttle. The "run in" phase will allow belt warm-up and stretching before initial operation. After the 30 minute "run in" cycle is complete, ALL belts should be inspected for proper tension and if adjustments are necessary, refer to Maintenance Section.

3-2 CUTTING HEIGHT ADJUSTMENT

The mower should be operated at the highest position that will give desired cutting results. This will help prevent blades from striking the ground, reducing blade wear and undue strain on the machine. Cutting too much material may leave excess clippings on the surface. The more frequently the grass

is mowed, the better the effect will be.

A. Raise mower off ground enough to remove caster.



WARNING

THE MOWER CAN FALL FROM HYDRAULIC SYSTEM FAILURE. TO AVOID SERIOUS INJURY OR DEATH, SECURELY SUPPORT MOWER BEFORE WORKING UNDERNEATH.

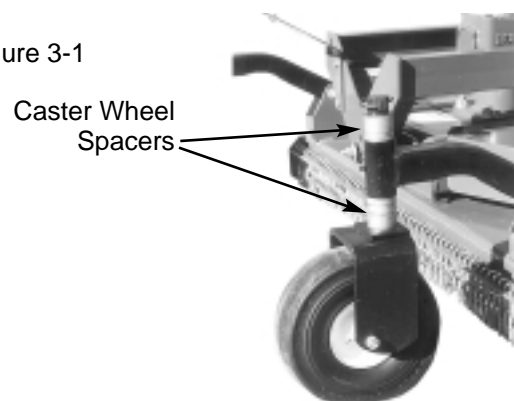
B. Remove pin securing caster stem to caster arm. Remove caster stem from caster arm.

C. Place amount of spacers on caster stem to give desired cutting height. With no spacers on the bottom, a 3/4" cutting height is given. (Figure 3-1)

D. Reinstall caster stem into caster arm. Place remaining spacers on caster stem above caster arm and install pin to retain.

E. Repeat operation for all caster wheels. Make certain all wheels are adjusted to the same height.

Figure 3-1

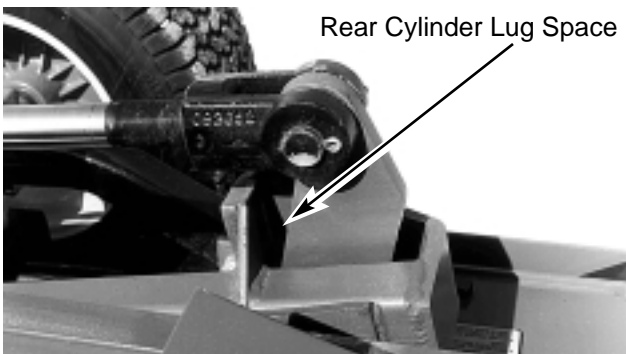
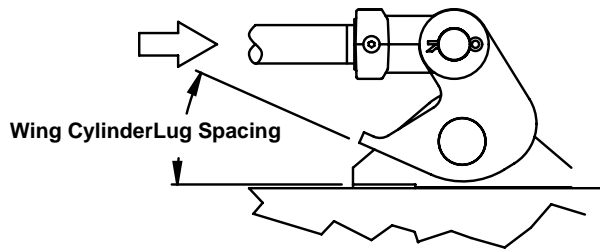


3-3 OPERATION

A. Perform BEFORE EACH USE maintenance list in paragraph 4-1.

B. Start tractor. Lower cutter decks until it is supported by caster wheels and **hydraulic cylinders are fully extended** to allow mechanical float to operate. (Figure 3-2)

Figure 3-2 Make Sure Cylinders Are Fully Extended To Allow Decks To Float



⚠ DANGER ⚠

STAY CLEAR OF ROTATING DRIVELINE. DO NOT OPERATE WITHOUT DRIVELINE SHIELDS IN PLACE AND IN GOOD CONDITION. FAILURE TO HEED THESE WARNINGS MAY RESULT IN PERSONAL INJURY OR DEATH.

⚠ DANGER ⚠

STAND CLEAR OF ROTATING CUTTER BLADES UNTIL ALL MOTION HAS STOPPED. TO AVOID ACCIDENTAL FALL AND POSSIBLE INJURY FROM CUTTER, IT IS RECOMMENDED THAT TRACTOR BE EQUIPPED WITH ROLLOVER PROTECTIVE SYSTEM AND THAT A SEAT BELT BE USED FOR ALL OPERATIONS

C. With tractor at idle speed, engage PTO drive. Advance throttle to 540 PTO rpm.

D. Place tractor in low gear and begin cutting. Tractor forward speed should be controlled by gear selection, not engine speed. For maximum cutting efficiency, forward speed should allow mower to maintain a constant maximum blade speed.

If tractor engine or cutter stalls, do not slip tractor clutch to allow engine to retain speed as this will exert undue strain on the implement drivetrain. When stalling occurs, disengage PTO drive, move to a cut area, set tractor throttle to idle, then re-engage PTO drive.

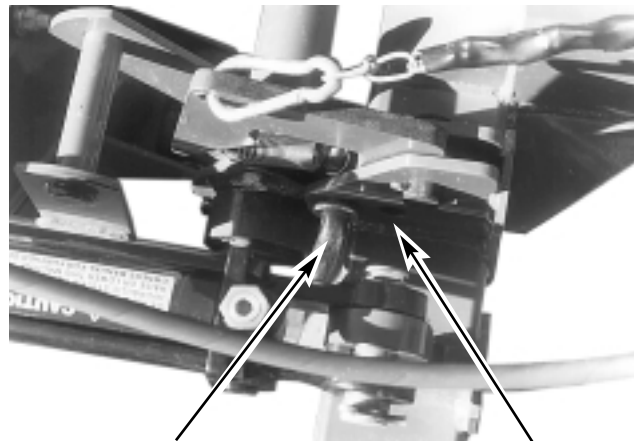
When mowing across slopes, yawing or skewing may occur as the mower slips sideways which may cause streaking. In this case, mowing up and down slopes should be done to eliminate skewing.

3-4 TRANSPORTING

IMPORTANT- Before folding for transport, disengage the PTO and wait for blades to stop. Pull the latch chain to allow complete folding, then release the chain to lock decks in the raised position. These locks also serve the purpose of limiting the upward flex of the cutter decks during operation. FOLDING THE DECKS WITH THE PTO ENGAGED WILL DESTROY THE DRIVELINES!

Install pins into the transport lock positions. (Figures 3-3 & 3-4) When implement is transported on road or highway, day or night, use tractor flashing warning lights unless prohibited by law. The slow moving vehicle (SMV) sign must be visible from the rear by approaching vehicles.

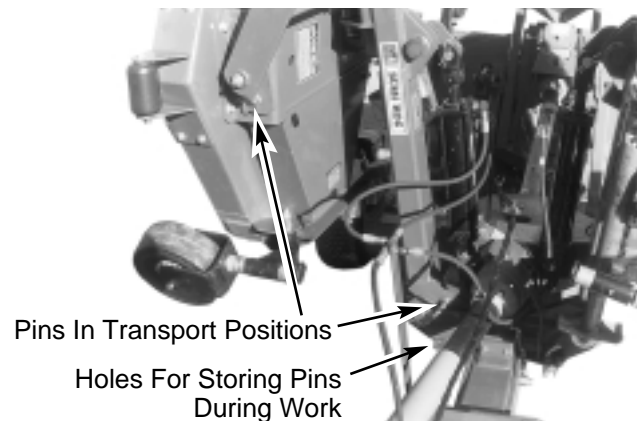
Figure 3-3 Center Unit Transport Latch



Pin In "Working" Position Transport Lock Hole

NOTE: The mower deck transport locking pins provided on the wing sections (Figure 3-4) MUST be removed BEFORE operation. Failure to remove these locking pins will result in front caster wheel damage, turf damage, and unacceptable mowing performance

Figure 3-4 Wing Unit Transport Latch



Pins In Transport Positions Holes For Storing Pins During Work

SECTION IV MAINTENANCE

4-1 MAINTENANCE CHECK LIST

Perform scheduled maintenance as outlined below. Lower implement to ground, turn off tractor, and set parking brake before doing maintenance inspections or work. All bolts should be torqued as indicated in torque chart unless otherwise indicated.



THE MOWER CAN FALL FROM HYDRAULIC SYSTEM FAILURE. TO AVOID SERIOUS INJURY OR DEATH, SECURELY SUPPORT MOWER BEFORE WORKING UNDERNEATH.

BEFORE EACH USE.

1. Check tractor tire air pressure. Refer to tractor operator's manual. **Mower transport tire pressure should be 22 psi; deck tire pressure should be 50 psi.**
2. Check blades and spindles to be sure that no foreign objects such as wire or steel strapping bands are wrapped around them.
3. Check blade bolts for tightness. **Tighten blade bolts to 76 ft./lbs.**
4. Inspect blades for wear. Replace if necessary per paragraph 4-5. Use only genuine Bush Hog replacement parts. If it is necessary to sharpen the blades, remove the blades from the spindles before sharpening. **DO NOT sharpen blades while still attached to mower.**
5. Make certain all shields are in place and in good condition. Repair or replace any missing or damaged shields.
6. Inspect wheel(s) for wear, damage or foreign objects. Repair or replace if necessary.
7. Perform BEFORE EACH USE lubrication per paragraph 4-2.
8. During operation, listen for abnormal sounds which might indicate loose parts, damaged bearings, or other damage. Correct any deficiency before continuing operation.

AFTER EACH USE

1. Clean all debris from machine especially underside of deck, underneath belt shield and off safety decals. Replace any missing or illegible decals.
2. Inspect cutter for worn or damaged components. Repair or replace before next use. Any replacement components installed during repair shall include the components' current safety decals specified by the manufacturer to be affixed to the component.
3. Store cutter in a dry place.

40 HOURS

1. Check belt for proper tension. Refer to paragraph 4-3.

4-2 LUBRICATION (Figures 4-1A, B & C)

NOTE

The multi-purpose grease referenced in this section is an NLGI Grade 2 type grease. Figure 4-2 shows the necessary position for servicing wing drivelines.

BEFORE EACH USE

1. Driveline Universal Joints - Apply multi-purpose grease with grease gun.
2. Driveline Guard - Apply 2-3 shots of multi-purpose grease with grease gun to plastic fitting.
3. Wheels - Apply multi-purpose grease with grease gun.
4. Caster Pivot - Apply multi-purpose grease with grease gun.
5. **Constant Velocity (CV) Joint - Position CV joint as straight as possible to be sure grease will penetrate to ball joint. Lubricate the central body with a minimum of 30 shots of grease every 8 hours. Lubricate telescoping members with 10 shots every 8 hours and every 40 hours pull the two sections apart, apply thin coat of multi-purpose grease to outside of inner (male) section and reassemble.**

20 HOURS

6. Deck Drivelines - Disconnect PTO driveline, pull the two sections apart, apply thin coat of multi-purpose grease to outside of inner (male) section. Reassemble sections and install. Pull each section to be sure driveline and shields are securely connected. Make certain PTO shielding is in good condition.

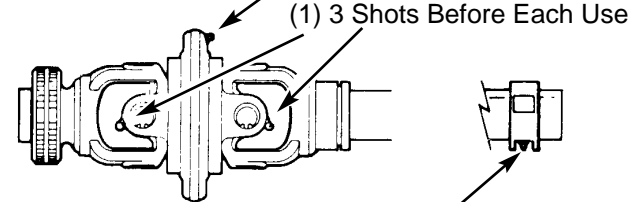
40 HOURS

7. Gearboxes (5) - Add EP80W-90 gear oil, if necessary, to bring oil level to check plug or dip stick mark.
8. Wing Pivots - Apply 5 shots of multi-purpose grease with grease gun.
9. Cylinder Rod Lugs - Apply 5 shots of multi-purpose grease with grease gun.
10. Deck Pivots - Apply 5 shots of multi-purpose grease with grease gun.
11. Spindle Assembly - Apply 3-5 shots of multi-purpose grease with grease gun.

END OF SEASON

12. Transport Wheel Bearings - Pack transport wheel bearings with grease at end of each mowing season.

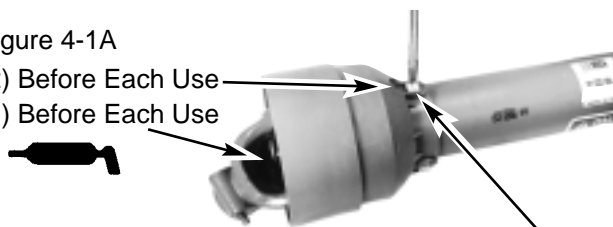
Figure 4-1 B (5) 30 Shots Before Each Use



(5) 10 Shots Before Each Use -
(Access through holes in shields of
telescoping driveline)

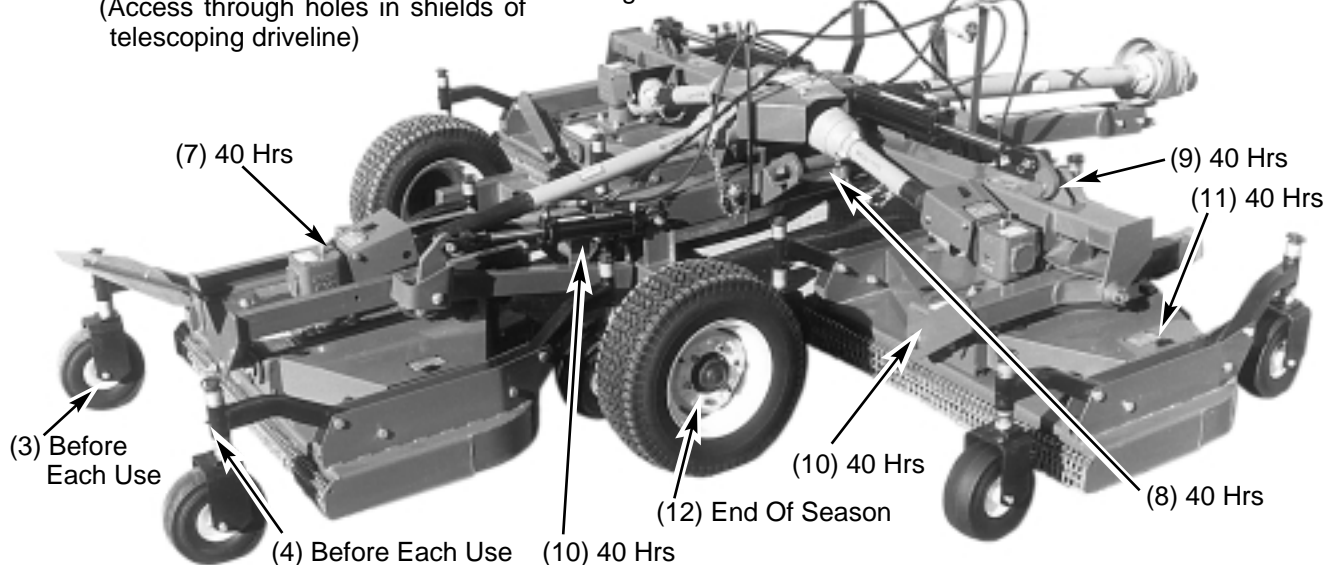
Figure 4-1A

(2) Before Each Use
(1) Before Each Use



To Remove Shield: Turn slotted head 90° with screwdriver,
remove turn screw and slide cover back.

Figure 4-1 C



4-3 SPINDLE BELT ADJUSTMENT

Belt tensions should be checked every 40 hours to get maximum life from drive belts and best performance from the cutter. Belt tension is adjusted by increasing or decreasing the length of the spring on the moveable idlers. **For proper belt tension on the mower, the spring lengths should be set at 2-7/8".** (Figure 4-2) To adjust the spring length, loosen or tighten the 1/2" hex nuts on the spring adjustment rod until the correct spring length is reached.

4-4 SPINDLE BELT REPLACEMENT

Use only genuine Bush Hog replacement parts.

A. Flip up black latches and remove right and left side shields. To remove the outside shields on the wing cutter decks, the wings must be in the folded position.

B. Relieve spring tension by loosening the two 1/2" hex nuts on each spring adjustment rod. (Figure 4-2)

C. Remove old belt.

D. Install new belt as shown below. (Also refer to the decal on underside of belt shield)

1. Disconnect the adjustment rod from the idler assembly. (Figure 4-2)

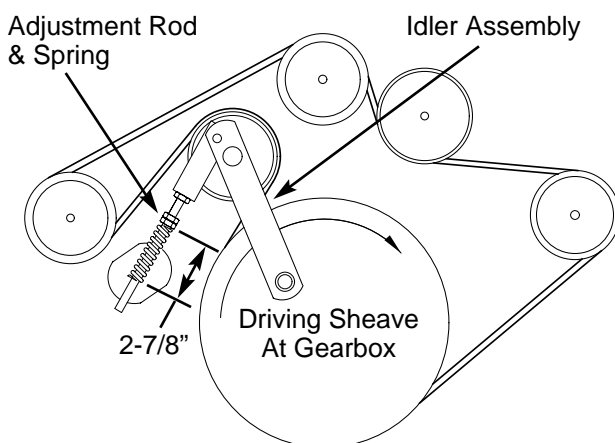
2. Place belt into the groove on the driving sheave.

3. Work the belt over the other sheaves.
4. Connect the adjustment rod and the idler assembly.

5. Tighten the compression springs on the drive to 2-7/8" long. Tighten the jam nut on the adjustment rod.

6. Replace all shields before operating machine.

Figure 4-2 Spindle Belt Diagram



4-5 BLADE REPLACEMENT



WEAR HEAVY WORK GLOVES TO PROTECT HANDS FROM SHARP EDGES. WHEN TURNING BLADES, BE AWARE OF OPPOSITE BLADE APPROACHING.

A. Raise cutter using tractor hydraulic system and use transport locks before changing blades.

B. Turn off tractor, set parking brake and remove key.

C. Remove bolt and Belleville washer securing bottom blade to spindle. Remove blade. Shaft washer will come off with the blade.

D. Install the blade washer over the spindle shaft. Install the blade and **torque the 1/2" - 20UNF Gr. 8 bolt to 76 ft./lbs. Note: The concave side of the belleville washer must be toward the blades. Do not substitute with a flat washer.**



4-6 TROUBLESHOOTING

Troubleshooting procedures are listed in Table 4-1 below. If the problem cannot be solved or replacement parts are necessary, contact your authorized Bush Hog dealer. Please have ready your machine name, model number, serial number, purchase date and exact cause or description of problem.

Table 4-1 Troubleshooting

PROBLEM	PROBABLE CAUSE	REMEDY
Uneven Cut	Cutter not level side to side or front to rear.	See SECTION III.
	Belt slipping.	Adjust belt per paragraph 4-3.
	Worn or bent blade(s).	Replace blade(s).
Streaking or Windrowing	Possible build-up of material under cutter.	Clean cutter.
	Cutter not level.	See SECTION III.
	Worn blades.	Replace blades.
	Belt slipping.	Adjust belt per paragraph 4-3.
Noisy Cutter	Mowing across slopes	Mow up and down slopes
	Loose components.	Check all bolts for tightness.
Rapid Blade Wear (cutting edge)	Low oil in gearbox.	Check oil per paragraph 4-2.
	Blade contacting ground.	Adjust cutting height to eliminate ground contact.
Cutter Vibrating	Cutter not being operated at rated PTO speed.	Set tractor throttle for proper PTO speed.
	Blade(s) bent.	Replace blades.
	Foreign object wrapped around spindle or blade.	Remove object.

SAFETY DECALS

To promote safe operation, Bush Hog supplies safety decals on all products manufactured. Because damage can occur to safety decals either through shipment, use or reconditioning, Bush Hog will, upon request, provide safety decals for any of our products in the field at no charge. Contact your authorized Bush Hog dealer for more information.

94878

ALL AIR MUST BE PURGED FROM HYDRAULIC SYSTEM BEFORE ATTEMPTING TO RAISE OR LOWER THIS MACHINE. REFER TO OPERATOR'S MANUAL FOR FURTHER DETAILS.

CAUTION

CAUTION

ALL AIR MUST BE PURGED FROM HYDRAULIC SYSTEM BEFORE ATTEMPTING TO RAISE OR LOWER THIS MACHINE. REFER TO OPERATOR'S MANUAL FOR FURTHER DETAILS.

94878

94878

WARNING



TO AVOID SERIOUS INJURY OR DEATH:

- ★ LOCK WINGS UP FOR TRANSPORT
- ★ INSTALL TRANSPORT LOCK PINS
- ★ READ OPERATOR'S MANUAL FOR INSTRUCTIONS

83343

83343

DANGER



KEEP AWAY—ROTATING BLADES

SERIOUS INJURY OR DEATH CAN RESULT FROM THROWN OBJECTS OR BLADE CONTACT.

- ★ DO NOT STAND ON OR NEAR MACHINE WHEN IN OPERATION.
- ★ DO NOT OPERATE WITH DEFLECTORS OR GUARDS REMOVED.
- ★ ROPS (ROLLOVER PROTECTIVE SYSTEM) AND SEAT BELT EQUIPPED TRACTOR IS RECOMMENDED FOR OPERATOR USE IN ALL MOWING OPERATIONS.

82619

82619

WARNING


ROTATING DRIVE PARTS BENEATH

- ENTANGLEMENT WITH ROTATING DRIVE PARTS CAN CAUSE INJURY OR DEATH.
- DO NOT OPERATE WITHOUT THIS AND ALL OTHER SHIELDS IN PLACE AND IN GOOD CONDITION.

50012615

50012615

WARNING



ROTARY CUTTERS MAY DISCHARGE OBJECTS AT HIGH SPEEDS, WHICH COULD RESULT IN SERIOUS INJURY TO BY-STANDERS OR PASSERS-BY.

- ★ DO NOT OPERATE CUTTER IN VICINITY OF OTHER PERSONS.
- ★ KEEP ENCLOSED SIDES, PERMANENT BANDS, BELTING, HIGHWAY CHAINS OR OTHER FACTORY APPROVED DISCHARGE SHIELDS IN PLACE AND IN GOOD REPAIR.

82618

82618

DANGER



KEEP AWAY!

SHIELD MISSING FROM THIS AREA

TO AVOID SERIOUS INJURY OR DEATH, DO NOT OPERATE WITHOUT THIS AND ALL OTHER SHIELDS IN PLACE AND IN GOOD CONDITION.

50012616

50012616

WARNING

TO AVOID SERIOUS INJURY OR DEATH,

- ★ READ OPERATOR'S MANUAL BEFORE OPERATING & FOLLOW ALL PRECAUTIONS. (CONTACT DEALER FOR MANUALS.)
- ★ KEEP SHIELDS AND GUARDS IN PLACE. KEEP CLEAR OF DRIVES AND BELTS.
- ★ LOWER IMPLEMENT, STOP ENGINE AND REMOVE KEY BEFORE DISMOUNTING.
- ★ SECURELY SUPPORT MOWER & REMOVE KEY BEFORE WORKING UNDERNEATH.
- ★ NO RIDERS. DO NOT OPERATE MOWER IN VICINITY OF OTHER PERSONS.
- ★ KNOW HOW TO STOP TRACTOR AND EQUIPMENT QUICKLY IN AN EMERGENCY.
- ★ CLEAR MOWING AREA OF DEBRIS.
- ★ ALLOW NO CHILDREN OR UNQUALIFIED PERSONS TO OPERATE EQUIPMENT.
- ★ BE CAREFUL ON UNEVEN TERRAIN. DECREASE SPEED WHEN TURNING.
- ★ DO NOT OPERATE MOWER IN TRANSPORT POSITION.

82617

82617

CAUTION

THIS IMPLEMENT IS DESIGNED TO OPERATE AT 540 RPM MAXIMUM TRACTOR PTO SPEED. ALL DRIVE LINE SHIELDS MUST BE KEPT IN PLACE.

60873

60873

WARNING

TO AVOID SERIOUS INJURY OR DEATH,

DO NOT OPERATE MOWER WITHOUT DISCHARGE SHIELD OR DEFLECTOR IN PLACE AND GOOD REPAIR.

83056

83056

DECALS CONTINUED

⚠ WARNING



IMPLEMENT CAN FALL FROM HYDRAULIC SYSTEM FAILURE. TO AVOID SERIOUS INJURY OR DEATH,

- ★ BLOCK UP OR SECURELY SUPPORT IMPLEMENT BEFORE WORKING UNDERNEATH.
- ★ PURGE ALL AIR FROM HYDRAULIC SYSTEM BEFORE ATTEMPTING TO RAISE OR LOWER THIS IMPLEMENT.
- ★ STAND CLEAR IF LOWERING OR RAISING IMPLEMENT.
- ★ DO NOT USE HAND OR SKIN TO CHECK FOR HYDRAULIC LEAKS. USE CARDBOARD OR WOOD.
- ★ HIGH PRESSURE OIL LEAKS CAN PENETRATE SKIN CAUSING SERIOUS INJURY AND GANGRENE. CONSULT A PHYSICIAN IMMEDIATELY.
- ★ LOWER THE IMPLEMENT AND RELEASE HYDRAULIC PRESSURE BEFORE LOOSENING FITTINGS.
- ★ REFER TO OWNERS MANUAL FOR DETAILS.

82683

82683

⚠ WARNING



TO AVOID SERIOUS INJURY OR DEATH,

- ★ DO NOT OPERATE WITH WINGS RAISED.
- ★ LOCK WINGS UP FOR TRANSPORT.
- ★ STAND CLEAR IF LOWERING OR RAISING WINGS.
- ★ DECREASE SPEED WHEN TURNING, BE CAREFUL ON SLOPES OR UNEVEN TERRAIN WITH WINGS IN RAISED POSITION.
- ★ BE ALERT TO OVERHEAD OBSTRUCTIONS AND ELECTRICAL WIRES WITH WINGS IN RAISED POSITION.

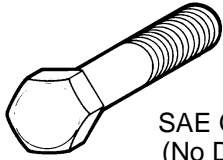
83105

83105

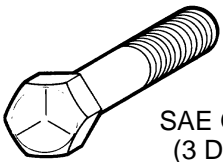
TORQUE SPECIFICATIONS

Proper torque for American fasteners used on Bush Hog equipment.
Recommended Torque in Foot Pounds (Newton Meters).*

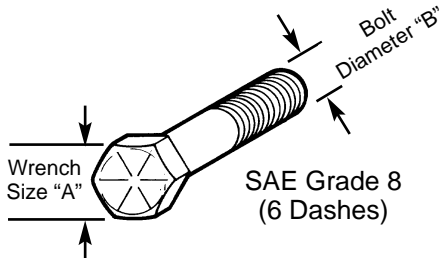
AMERICAN Bolt Head Markings



SAE Grade 2
(No Dashes)



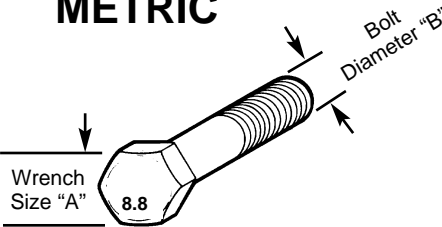
SAE Grade 5
(3 Dashes)



SAE Grade 8
(6 Dashes)

WRENCH SIZE (IN.) "A"	BOLT DIAMETER (IN.) "B" AND THREAD SIZE	SAE GRADE 2	SAE GRADE 5	SAE GRADE 8
7/16	1/4 - 20 UNC	6 (7)	8 (11)	12 (16)
7/16	1/4 - 28 UNF	6 (8)	10 (13)	14 (18)
1/2	5/16 - 18 UNC	11 (15)	17 (23)	25 (33)
1/2	5/16 - 24 UNF	13 (17)	19 (26)	27 (37)
9/16	3/8 - 16 UNC	20 (27)	31 (42)	44 (60)
9/16	3/8 - 24 UNF	23 (31)	35 (47)	49 (66)
5/8	7/16 - 14 UNC	32 (43)	49 (66)	70 (95)
5/8	7/16 - 20 UNF	36 (49)	55 (75)	78 (106)
3/4	1/2 - 13 UNC	49 (66)	76 (103)	106 (144)
3/4	1/2 - 20 UNF	55 (75)	85 (115)	120 (163)
7/8	9/16 - 12 UNC	70 (95)	109 (148)	153 (207)
7/8	9/16 - 18 UNF	79 (107)	122 (165)	172 (233)
15/16	5/8 - 11 UNC	97 (131)	150 (203)	212 (287)
15/16	5/8 - 18 UNF	110 (149)	170 (230)	240 (325)
1-1/8	3/4 - 10 UNC	144 (195)	266 (360)	376 (509)
1-1/8	3/4 - 16 UNF	192 (260)	297 (402)	420 (569)
1-5/16	7/8 - 9 UNC	166 (225)	430 (583)	606 (821)
1-5/16	7/8 - 14 UNF	184 (249)	474 (642)	668 (905)
1-1/2	1 - 8 UNC	250 (339)	644 (873)	909 (1232)
1-1/2	1 - 12 UNF	274 (371)	705 (955)	995 (1348)
1-1/2	1 - 14 UNF	280 (379)	721 (977)	1019 (1381)
1-11/16	1-1/8 - 7 UNC	354 (480)	795 (1077)	1288(1745)
1-11/16	1-1/8 - 12 UNF	397 (538)	890 (1206)	1444 (1957)
1-7/8	1-1/4 - 7 UNC	500 (678)	1120 (1518)	1817 (2462)
1-7/8	1-1/4 - 12 UNF	553 (749)	1241 (1682)	2013 (2728)
2-1/16	1-3/8 - 6 UNC	655 (887)	1470 (1992)	2382 (3228)
2-1/16	1-3/8 - 12 UNF	746 (1011)	1672 (2266)	2712 (3675)
2-1/4	1-1/2 - 6 UNC	870 (1179)	1950 (2642)	3161 (4283)
2-1/4	1-1/2 - 12 UNF	979 (1327)	2194 (2973)	3557 (4820)

METRIC



Numbers appearing on bolt heads indicate ASTM class.

Proper torque for metric fasteners used on Bush Hog equipment.
Recommended torque in foot pounds (newton Meters).*

WRENCH SIZE (mm) "A"	BOLT DIA. (mm) "B"	ASTM 4.6	ASTM 8.8	ASTM 9.8	ASTM 10.9
8	5	1.8 (2.4)		5.1 (6.9)	6.5 (8.8)
10	6	3 (4)		8.7 (12)	11.1 (15)
13	8	7.3 (10)		21.1 (29)	27 (37)
16	10	14.5 (20)		42 (57)	53 (72)
18	12	25 (34)	74 (100)	73 (99)	93 (126)
21	14	40 (54)	118 (160)	116 (157)	148 (201)
24	16	62 (84)	167 (226)	181 (245)	230 (312)
30	20	122 (165)	325 (440)		449 (608)
33	22		443 (600)		611 (828)
36	24	211 (286)	563 (763)		778 (1054)
41	27		821 (1112)		1138 (1542)
46	30	418 (566)	1119 (1516)		1547 (2096)

*Use 75% of the specified torque value for plated fasteners. Use 85% of the specified torque values for lubricated fasteners.



BUSH HOG[®], L.L.C.

**P.O. Box 1039 • Selma, AL 36702-1039
Telephone (334) 874-2700**